

THIS DRAWING IS UNPUBLISHED.

RELEASED FOR PUBLICATION

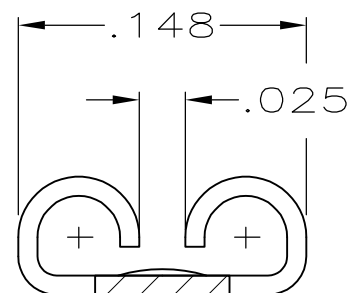
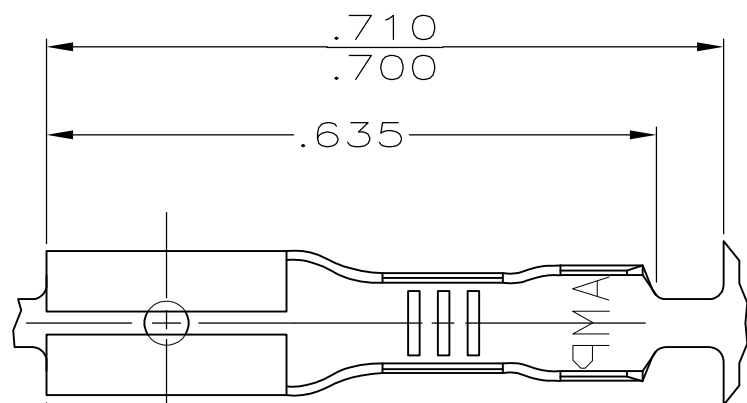
ALL RIGHTS RESERVED.

© COPYRIGHT - By -

LOC AF DIST 50

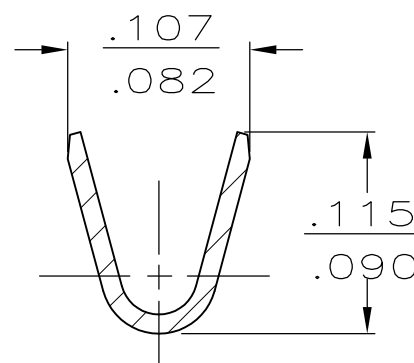
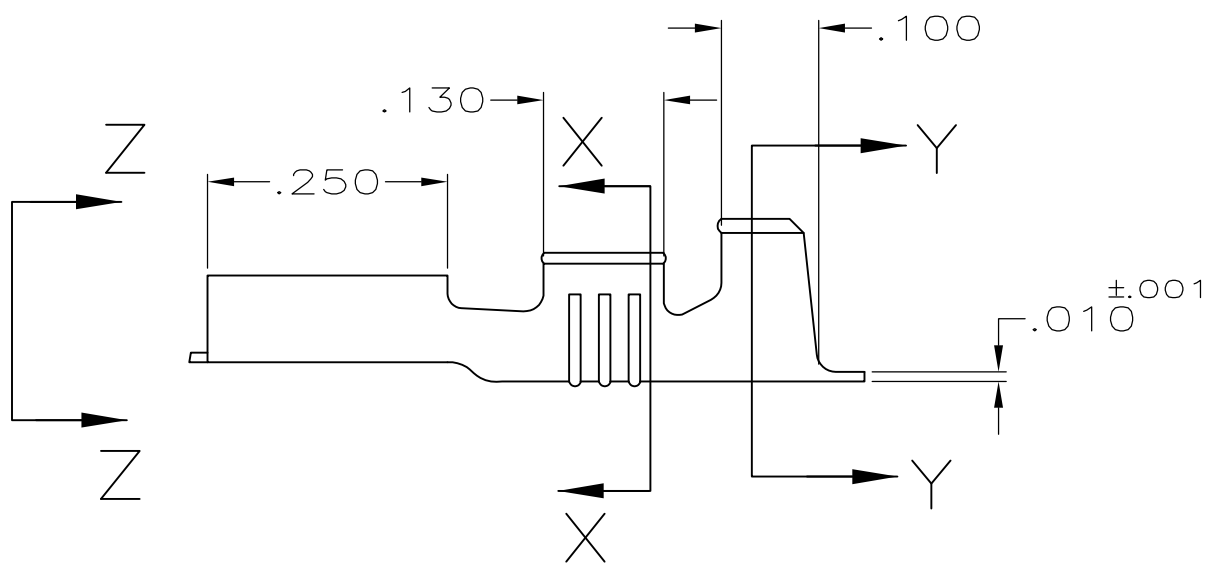
REVISIONS

P	LTR	DESCRIPTION	DATE	DWN	APVD
	D	REVISED PER ECR-12-013445	27OCT12	KH	PD

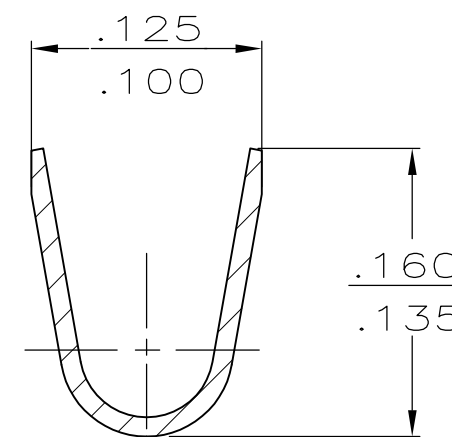


VIEW Z-Z
SCALE 10:1

- 1 CONTINUOUS STRIP ON REELS
- 2 WIRE SIZE IS #22-#18 AWG
- 3 INSULATION RANGE IS .060-.100 DIA
- 4 MATING TAB THK IS .032±.001
- 5 REELED WITH INTERLEAVING PAPER
- 6 PRELIMINARY - NOT FOR PRODUCTION



SECTION X-X
SCALE 10:1



SECTION Y-Y
SCALE 10:1

6	5	60577-2
		60577-1
		WIRE SIZE

THIS DRAWING IS A CONTROLLED DOCUMENT.		DWN JR RUTH 12/20/90	STE TE Connectivity			
DIMENSIONS: INCHES		CHK MS FEHER 12/20/90				
TOLERANCES UNLESS OTHERWISE SPECIFIED:		APVD D REINER 12/20/90	NAME RECEPTACLE, FASTON, .110 SERIES			
0 PLC ± -		PRODUCT SPEC -	APPLICATION SPEC -			
1 PLC ± -		WEIGHT -	SIZE A3	CAGE CODE 00779	DRAWING NO C-60577	RESTRICTED TO -
2 PLC ± -		CUSTOMER DRAWING				
3 PLC ± .015		SCALE 5:1	SHEET 1 OF 1	REV D		
4 PLC ± -						
ANGLES ± -						
MATERIAL BRASS	FINISH PRE-TIN					